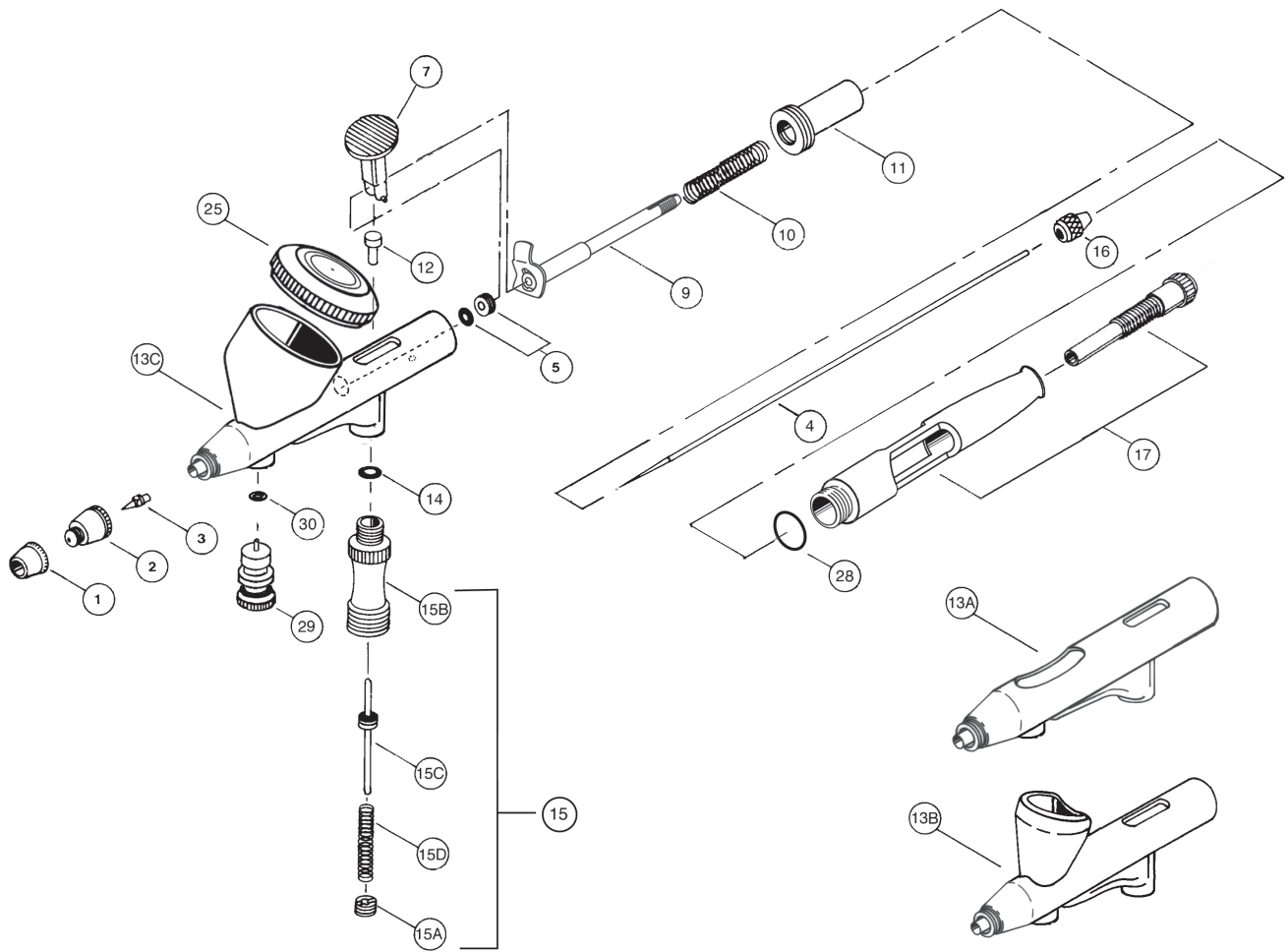


IWATA HI-LINE SERIES



ITEM DESCRIPTION	PRICE CODE	ITEM #	HP-AH	HP-BH	HP-CH		
1 Needle Cap	B	I 110 1	■	■	x	HP-A/+	
	B	I 110 2	x	x	■	HP-C/+	
2 Nozzle Cap	D	I 140 7	■	■	opt		
	D	I 140 3	opt	opt	■	HP-C/+	
3 Fluid Nozzle	0.20 mm	G	I 080 7	■	■	opt	HP+
	0.30 mm	G	I 080 8	opt	opt	■	HP+
4 Fluid Needle	0.20 mm	C	I 075 1	■	■	opt	HP-A/+
	0.30 mm	C	I 075 3	opt	opt	■	HP-C/+
5 Needle Packing Screw w/PTFE Needle Packing	B	I 125 7	■	■	x		
	B	I 725 1	x	x	■	REV	
7 Main Lever	D	I 100 2	■	■	■	HP-C/+	
9 Needle Chucking Guide w/Auxiliary Lever	C	I 115 7	■	■	x		
	C	I 715 1	x	x	■	REV	
10 Needle Spring	A	I 135 2	■	■	x	HP-A/+	
	A	I 135 1	x	x	■	ECL/REV	
11 Spring Guide	A	I 770 1	■	■	■	REV	
12 Valve Piston	A	I 175 1	■	■	■	HP-A/+	
13A Body	A		■	x	x		
13B	B		x	■	x		
13C	C		x	x	■		
14 Packing Valve Piston (O-Ring)	A	I 145 1	■	■	■	HP/+	

#	ITEM DESCRIPTION	PRICE CODE	ITEM #	HP-AH	HP-BH	HP-CH	ALSO FITS
15	Air Valve Set	G	I 030 1	■	■	x	HP-A/+
		G	I 030 4	x	x	■	HP-C/+
15A	Air Valve Guide	A	I 025 1	■	■	■	HP/+
15B	Air Valve Body	D	I 020 1	■	■	■	HP/+
15C	Air Valve	B	I 015 1	■	■	x	HP-A/+
		B	I 015 4	x	x	■	HP-C/+
15D	Air Valve Spring	A	I 035 1	■	■	■	HP/+
16	Needle Chucking Nut	A	I 120 1	■	■	■	HP/+
17	Pre-Set Handle Set	G	I 155 6	■	■	■	
25	Fluid Cup Lid	C	I 618 1	x	x	■	HP-C/+
28	Packing Handle (O-Ring)	A	I 605 1	■	■	■	CM-C+
29	Micro Air Control Valve	D	I 190 1	■	■	■	CM-C+
30	Packing Mac Valve (O-Ring)	A	I 190 2	■	■	■	CM-C+
	Spanner (Nozzle Wrench)	A	I 165 1	■	■	■	HP/+
	Quick Fit Set (QD Screws Onto Airhose and Adaptor Screws Onto Airbrush)		I 160 3	opt	opt	opt	
	Quick Fit Adaptor (Adaptor Screws Onto Airbrush)		I 160 4	opt	opt	opt	
	Adaptor (Iwata Airbrushes to Paasche Airhose)		J 001	opt	opt	opt	
	Adaptor (Iwata Airbrushes to T & C/Badger Airhoses)		J 002	opt	opt	opt	

■ = yes x = no opt = optional