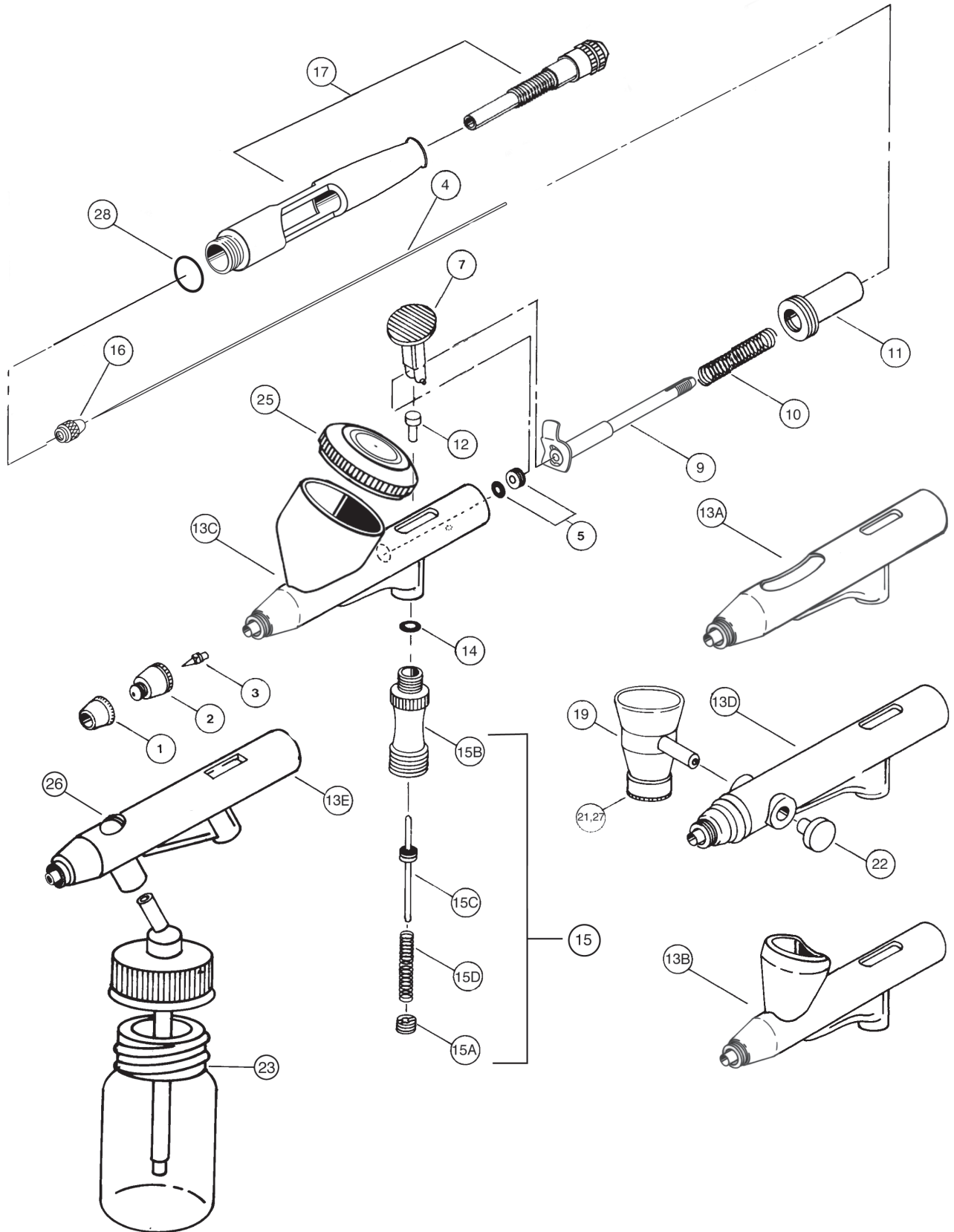


IWATA HIGH PERFORMANCE PLUS SERIES



IWATA HIGH PERFORMANCE PLUS SERIES

#	ITEM DESCRIPTION	PRICE CODE		HP A+	HP B+	HP SB+	HP C+	HP BC+	ALSO FITS	
1	Needle Cap	B	I 110 1	■	■	■	x	x	HP/HI	
		B	I 110 2	x	x	x	■	■	HP/HI	
2	Nozzle Cap	0.2 mm	D	I 140 1	■	■	■	x	x	HP/HI
		0.3 mm	D	I 140 3	x	x	x	■	■	HP/HI
3	Fluid Nozzle	0.2 mm	G	I 080 7	■	■	■	x	x	HI
		0.3 mm	G	I 080 8	x	x	x	■	■	HI
4	Fluid Needle	0.2 mm	C	I 075 1	■	■	■	x	x	HP/HI
		0.3 mm	C	I 075 3	x	x	x	■	■	HP/HI
5	Needle Packing Screw w/PTFE Packing	B	I 125 7	■	■	■	x	x		
		B	I 725 1	x	x	x	■	■	REV	
7	Main Lever Main Lever/Piston	D	I 100 1	■	■	■	x	x	HP	
		D	I 100 2	x	x	x	■	x	HP/HI	
		G	I 100 3	x	x	x	x	■	HP	
9	Needle Chucking Guide w/Auxiliary Lever	C	I 115 7	■	■	■	x	x		
		C	I 715 1	x	x	x	■	■	HI/REV	
10	Needle Spring	A	I 135 2	■	■	■	x	x	HP/HI/ECL	
		A	I 135 3	x	x	x	■	■	HP	
11	Spring Guide	C	I 170 6	■	■	■	x	x		
		C	I 770 1	x	x	x	■	■	HI/REV	
12	Valve Piston	A	I 175 1	■	■	■	■	x	HP/HI	
13	Body			■	x	x	x	x		
				x	■	x	x	x		
				x	x	■	x	x		
				x	x	x	■	x		
				x	x	x	x	■		
14	Packing Air Piston (O-Ring)	A	I 145 1	■	■	■	■	■	HP/HI	
15	Air Valve Set	G	I 030 1	■	■	■	x	x	HP/HI	
		G	I 030 4	x	x	x	■	■	HP/HI	
15A	Air Valve Guide	A	I 025 1	■	■	■	■	■	HP/HI	
15B	Air Valve Body	D	I 020 1	■	■	■	■	■	HP/HI	
15C	Air Valve	B	I 015 1	■	■	■	x	x	HP/HI	
		B	I 015 4	x	x	x	■	■	HP/HI	
15D	Air Valve Spring	A	I 035 1	■	■	■	■	■	HP/HI	
16	Needle Chucking Nut	A	I 120 1	■	■	■	■	■	HP/HI	

#	ITEM DESCRIPTION	PRICE CODE	ITEM #	HP A+	HP B+	HP SB+	HP C+	HP BC+		
17	Pre-Set Handle Set	G	I 155 5	■	■	■	x	x	HP	
		G	I 155 6	x	x	x	■	■	HP/HI	
19	Fluid Cup Side Cup 1/8 oz. Side Cup w/Lid 1/4 oz. Gravity Cup w/Lid 1/2 oz.	G	I 070 3	x	x	■	x	x	CM/HP/ECL	
		G	I 070 4	x	x	opt	x	x	CM/HP/ECL	
		G	I 070 6	x	x	opt	x	x	CM/HP/ECL	
21	Lid lower 1/8, 1/4 oz.	B	I 095 6	x	x	■	x	x	CM/HP/ECL	
22	Blanking Cover	A	I 045 2	x	x	■	x	x	CM/HP/ECL	
23	Glass Bottles	3/4 oz.	G	I 405 2	x	x	x	x	■	HP
		1-1/2 oz.	G	I 420 2	x	x	x	x	opt	HP
25	Fluid Cup Lid	C	I 618 1	x	x	x	■	x	HP/HI	
		C	I 095 7	x	x	opt	x	x	CM/HP/ECL	
26	Blanking Screw	B	I 045 1	x	x	x	x	■	HP	
27	Packing Lower Lid (Gasket) Spanner	A	I 150 5	x	x	■	x	x	CM/HP/ECL	
		A	I 165 1	■	■	■	■	■	HP/HI	
	Conversion Kit (Converts 0.3 mm HP- C and HP- BC to 0.4 mm Size Nozzle - 4 Piece Conversion)	I	I 195 1	x	x	x	■	■		
	Crown Cap	D	I 105 0	opt	opt	opt	opt	opt		
	Quick Fit Set (QD Screws Onto Airhose and Adaptor Screws Onto Airbrush)		I 160 3	opt	opt	opt	opt	opt		
	Quick Fit Adaptor (Adaptor Screws Onto Airbrush)		I 160 4	opt	opt	opt	opt	opt		
	Adaptor (Iwata Airbrushes to Paasche Airhose)		J 001	opt	opt	opt	opt	opt		
	Adaptor (Iwata Airbrushes to T & C/Badger Airhoses)		J 002	opt	opt	opt	opt	opt		
	Side-Feed Bottles									
	Side-Feed Bottle 1 oz.-Clear		I 450 1S	x	x	opt	x	x	CM/HP/ECL	
	Side-Feed Bottle 2 oz.-Clear		I 450 2S	x	x	opt	x	x	CM/HP/ECL	
	Side-Feed Bottle 2 oz.-HS		I 470 1S	x	x	opt	x	x	CM/HP/ECL	
	Side-Feed Bottle 2 oz.-HS		I 470 2S	x	x	opt	x	x	CM/HP/ECL	

■ = yes x = no opt = optional